

MEILLER Eco-Kupplung®

Operating efficiency for engine-driven PTO

| meiller.com

MEILLER Eco-Kupplung®

Operating efficiency for engine-driven PTO

The new MEILLER Eco-Kupplung® (eco clutch) is the energy saving alternative to engine-driven fixed and variable displacement pumps. The eco clutch allows you to activate and deactivate the hydraulic system when needed. This considerably reduces energy consumption.

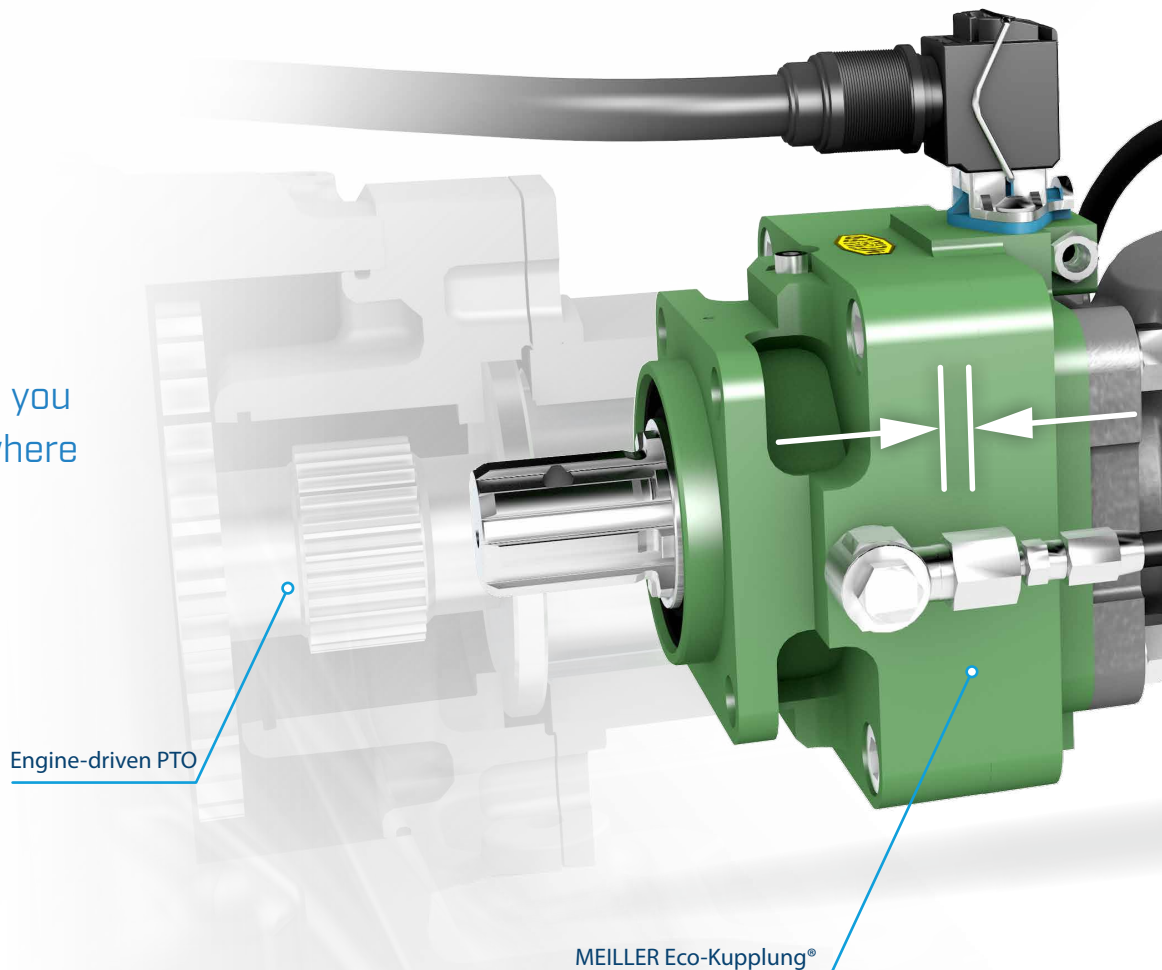
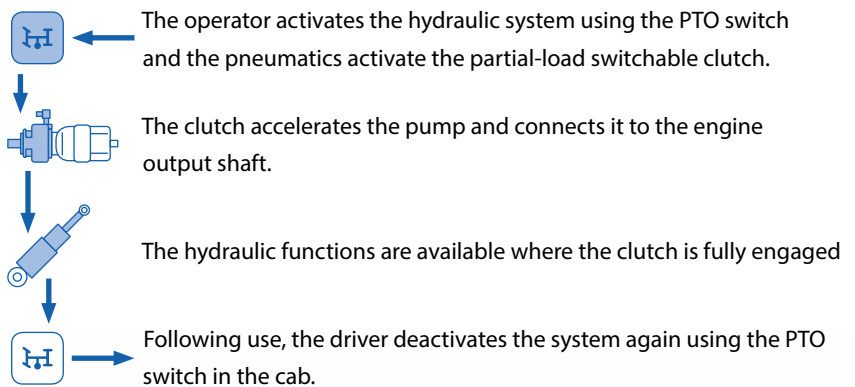
The eco clutch also allows the hydraulic system to be activated while travelling, facilitating manoeuvring and moving off. This ensures smooth working operation that saves time. The eco clutch is ideal for tippers, skip handlers and hooklifts. The advantage for all superstructures is a perceptible fuel saving and high availability of hydraulic functions.

The MEILLER Eco-Kupplung® enables you to release power where you really need it.

Always ready for use, fuel-saving and maintenance-free

Facilitating flexible activation, the MEILLER Eco-Kupplung® is located between the engine-driven PTO and the hydraulic pump.

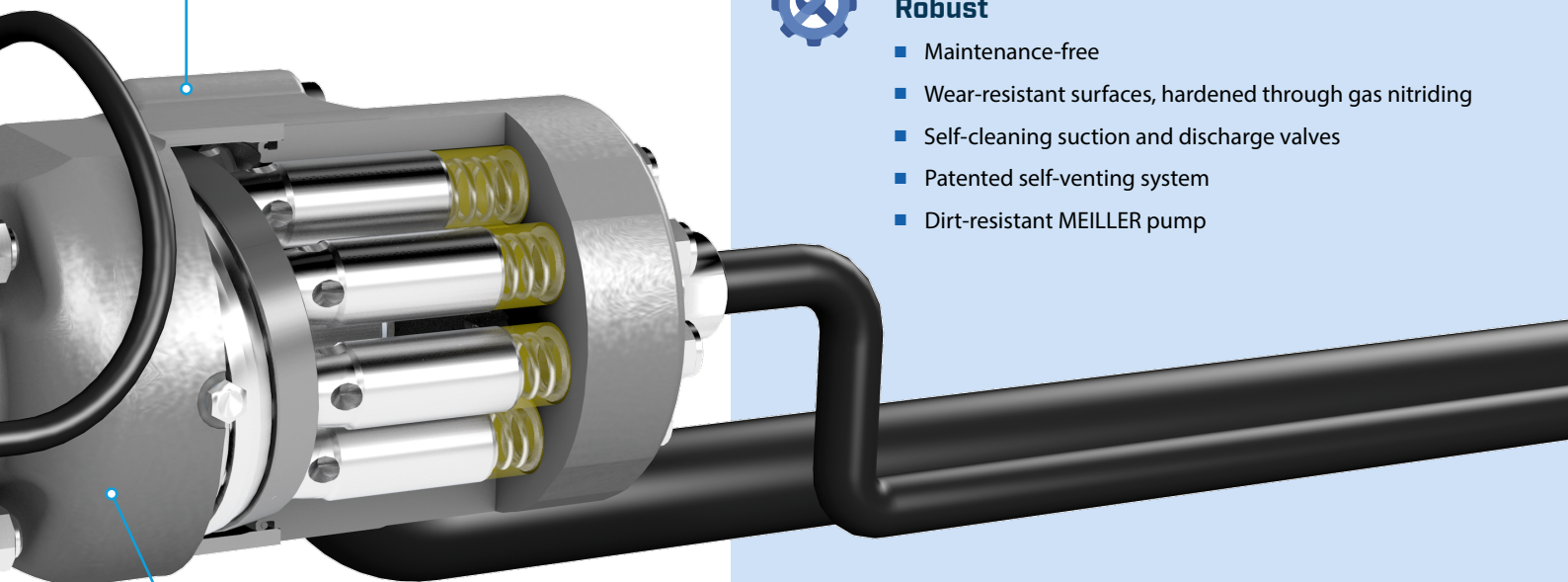
Typical functional sequence:



The intelligent solution for engine-driven PTO

Your advantages:

- **Maximum availability of hydraulic system, even when the vehicle is moving**
- **No additional energy consumption when the hydraulic system is deactivated**
- **For skip handler: Exact synchronisation of telescopic arms**



Hydraulic pump



Efficient

- 100% engine take-off separation
- No power consumption by clutch and pump
- Reduced CO₂ emissions
- Short payback duration

Sample calculation:

Saving realised with the MEILLER Eco-Kupplung® when compared to the following:

Vehicles with fixed displacement pump	Vehicles with LS system
3.5 l/100 km	1.5 l/100 km
1,750 l/year	750 l/year
2,275 Euro/year	975 Euro/year
4,637 kg CO ₂ /year	1,987 kg CO ₂ /year

for 50,000 km/year, diesel price € 1.30/l

The actual saving varies, depending on the engine, vehicle equipment, mileage, diesel price and operating mode.



Robust

- Maintenance-free
- Wear-resistant surfaces, hardened through gas nitriding
- Self-cleaning suction and discharge valves
- Patented self-venting system
- Dirt-resistant MEILLER pump



Always available*

Activation of the MEILLER Eco-Kupplung®:

- The system is activated using the PTO switch in the cab
- It can also be activated while travelling

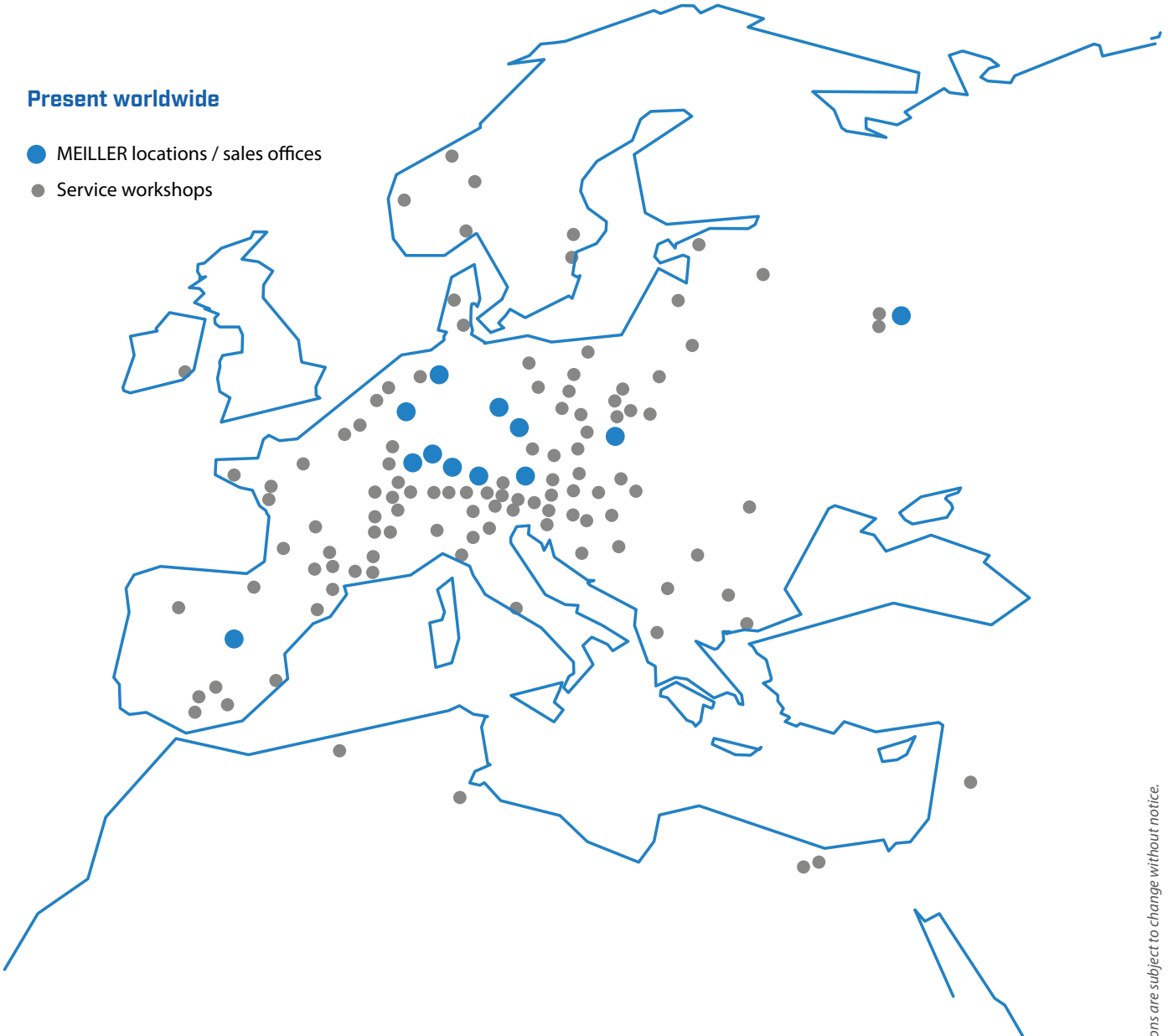
* within system limits

MEILLER close to you

Full service from a single source

Present worldwide

- MEILLER locations / sales offices
- Service workshops



There's a MEILLER location near you. Find the service workshops closest to you by searching online at

meiller.com/service

1737_En-761-0319
Technical specifications are subject to change without notice.
Illustrations may show special equipment.