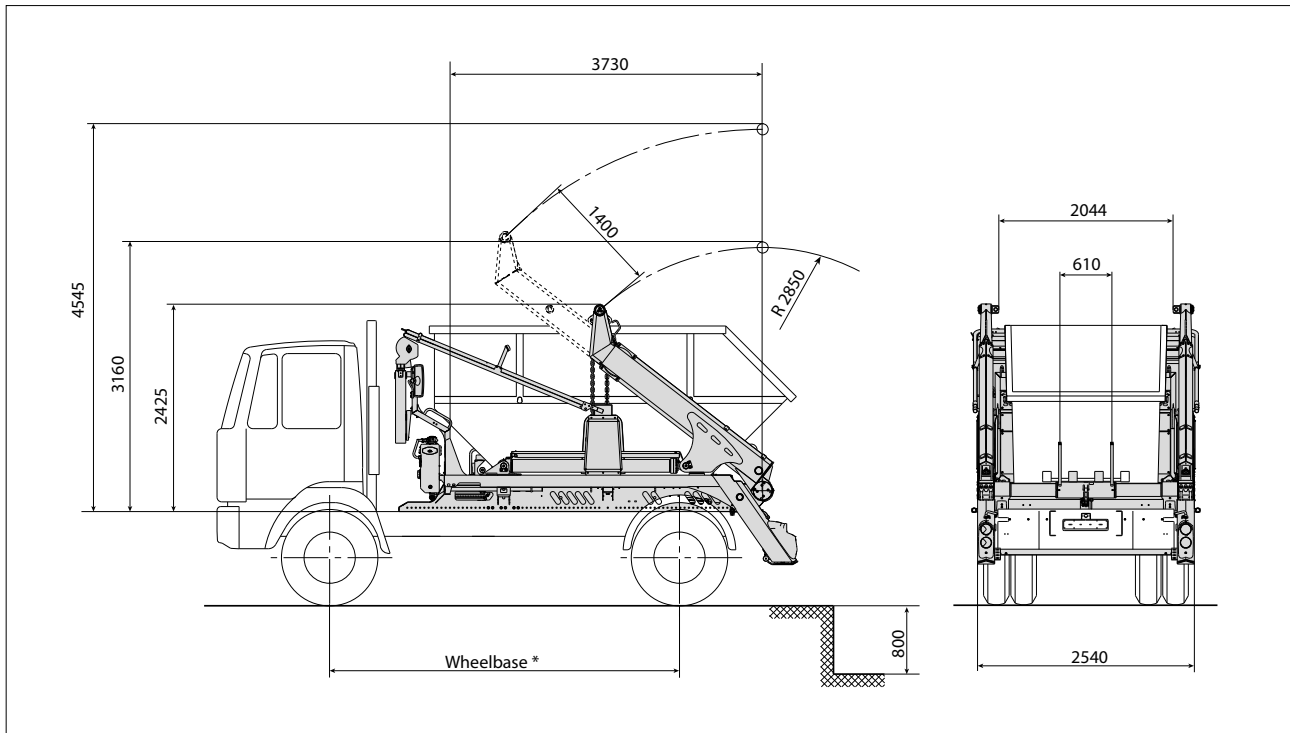




## Skip loader SL14-MT



### Technical data

#### Loads and weights:

Lifting load from carriageway level ** (boom length 2,850 mm)	max. 14,000 kg
Lifting load from carriageway level ** (boom length 4,250 mm)	max. 8,100 kg
Lifting load from underfloor level (boom length 2,850 mm)	max. 9,400 kg
Lifting load from underfloor level (boom length 4,250 mm)	max. 6,200 kg
Weight of the skip loader front protective wall and tarpaulin (standard version, pre-assembled)	approx. 3,380 kg
Underfloor position	800 mm

#### Hydraulic system:

Max. operating pressure	315 bar
Oil tank capacity	54 l
Capacity of the entire hydraulic system	approx. 110 l

#### Suitable chassis:

Permissible total weight	18,000 kg
Wheelbase	approx. 3,500 mm
Frame overhang	900 – 1,150 mm

Exact dimensions and weights are defined upon determination of the chassis.

#### Suitable container sizes:

- Container according to C.H.E.M. TS 14 up to 9 m<sup>3</sup>,
- Container according to C.H.E.M. TS 14 up to 12 m<sup>3</sup>,
- Compacted waste container according to C.H.E.M. TS 2 up to 10 m<sup>3</sup>
- Compacted waste container according to C.H.E.M. TS 5 up to 15 m<sup>3</sup>
- Special containers by arrangement.

\*\* without consideration of stability.

Subject to change in the course of further development!